

# PDS-355

---

## Pedestal Sur pied

Thank you for purchasing the Pedestal.

To ensure correct usage, please read this instruction manual thoroughly. After reading, please store this manual in a safe place for future reference.

This pedestal is for use only with the following model:

**PDM-5520**

- Request an installation specialist to install this unit.
- YAMAHA assumes absolutely no responsibility for injuries and damages that may occur due to the improper installation and handling.

Nous vous remercions d'avoir acquis ce support.

Pour être certain de l'utiliser convenablement, veuillez lire attentivement le mode d'emploi. Cela fait, conservez ce mode d'emploi en lieu sûr pour référence.

Ce support ne doit être utilisé que pour les appareils suivants:

**PDM-5520**

- Faites procéder à l'installation par un technicien compétent.
- YAMAHA ne saurait être tenue responsable des blessures ou dommages résultant d'une installation ou de manipulations contraires aux règles.

## Getting Started

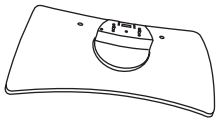
- Installing the Pedestal requires a high level of precision. Be sure to have your retailer install it properly, with full attention to safety.
- This Installation Instructions provides important precautions for preventing accidents, and describes how to assemble and install the Pedestal. Please read and understand this Installation Instructions and the Installation Instructions of your plasma display monitor before use.
- After you have read this manual, keep it in a safe place.

### ■ Note to Retailers

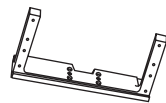
Installing the Pedestal requires a high level of precision. Please perform the assembly and installation after thoroughly reading these instructions. We bear no liability for accidents or injuries due to faulty assembly or installation. After performing the assembly and installation, please give this manual to the customer.

## Packing List

Before assembly, please make sure all the items in the packing list are present. If any items are missing, please contact your retailer.



1 pedestal



1 support column



1 installation wrench  
(Hexagonal wrench)

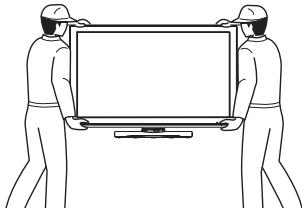

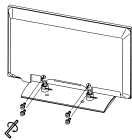
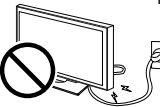
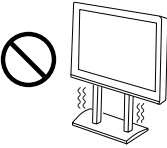

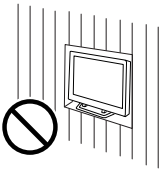


4 installation screws **A**  
(M6 x 50)



4 installation screws **B**  
(M6 x 25)

## Safety Precautions

Warning	Caution
<div style="text-align: center;">  </div> <ul style="list-style-type: none"> <li>■ This product is heavy. When moving this product, it should be carried by at least two people.</li> <li>■ When carrying this product, hold it by the top and bottom on both ends. Attached parts could come loose, causing the product to fall and possibly causing injury.</li> </ul> <div style="display: flex; justify-content: space-around;"> <div style="width: 45%;"> <ul style="list-style-type: none"> <li>■ <b>Do not install in an unstable location.</b> Doing so could cause the unit to tip over or become damaged.</li> </ul>  </div> <div style="width: 45%;"> <ul style="list-style-type: none"> <li>■ <b>Tighten bolts and screws securely in their specified locations.</b> Doing so could cause the plasma display monitor to fall, possibly causing injury.</li> </ul>  </div> </div> <div style="display: flex; justify-content: space-around; margin-top: 20px;"> <div style="width: 45%;"> <ul style="list-style-type: none"> <li>■ <b>Do not place the power cord underneath the unit.</b> Doing so could damage the cord, causing fire or electric shock.</li> </ul>  </div> <div style="width: 45%;"> <ul style="list-style-type: none"> <li>■ <b>Do not modify the parts or use broken parts.</b> Doing so could cause the plasma display monitor to fall, possibly causing injury.</li> </ul>  </div> </div>	<ul style="list-style-type: none"> <li>■ <b>Do not install in hot or humid places, or places that become wet.</b> This includes in direct sunlight and near heaters (including space heaters and air conditioning vents). Doing so could cause fire or electric shock.</li> </ul>  <ul style="list-style-type: none"> <li>■ <b>Do not block the ventilation holes, and make sure there is plenty of space around them for air to circulate.</b> Failure to do so could cause the unit to overheat internally, causing a fire.</li> </ul> 

## Please follow these instructions

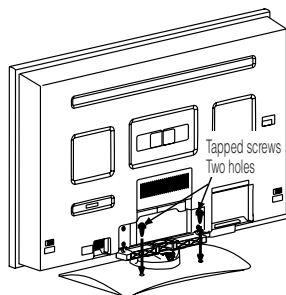
### Preventing the pedestal from tipping while in use

There is a danger that this product could tip over during a strong earthquake or the like. Be sure to take measures to prevent tipping.

#### ■ If mounting on a table or the like

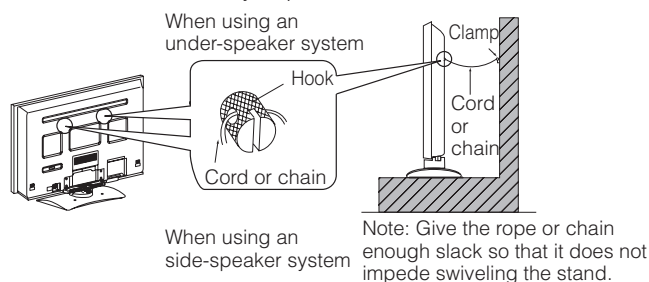
Bolt the stand to the top of a flat, sturdy table that is strong enough to support the weight of the product, by screwing tapped screws through the bolt holes on the back of the stand. (one each on the left and the right)

Use a commercially available tapped screw and bolt the unit down firmly. (Recommended screw: Nominal diameter 5 x 45 mm or larger)



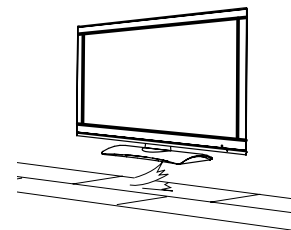
#### ■ If mounting on a wall, pillar or the like

Use a commercially available rope, chain, or bracket to mount the stand. Select a wall, pillar or the like that is strong and stable enough to support the product, and mount the stand securely in place.



### Choosing a location to install your plasma display monitor

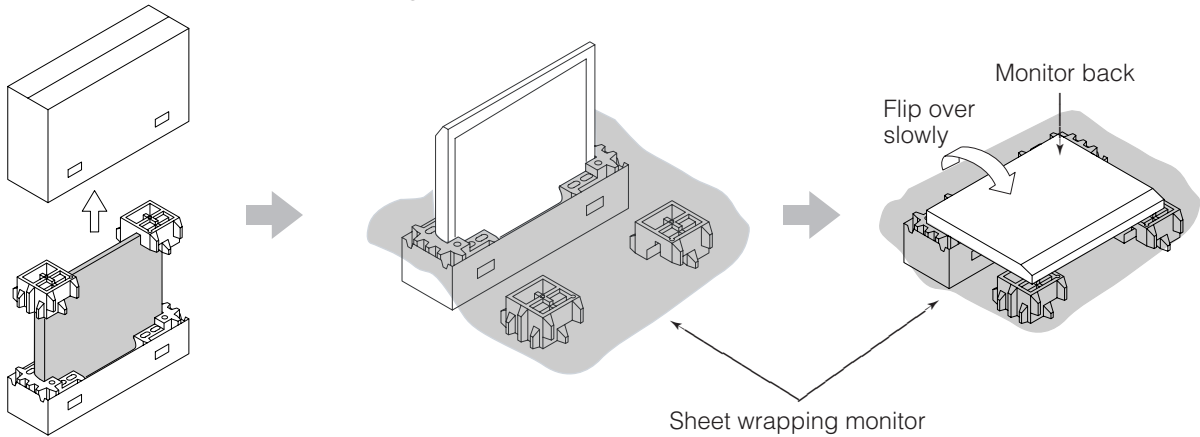
- Install the product in a flat, sturdy location capable of supporting the weight of the product. (Do not install the product on an uneven or sloped surface, carpet, mat, surface subject to warping, or the like.)
- Avoid installing the monitor directly on wood flooring. Some types of wood or wood-grained flooring materials or finishes will cause the pedestal's anti-skid grips to grip the floor very tightly, which could cause the flooring to peel off when you lift up the monitor.



## Attaching to the main unit

### Preparation

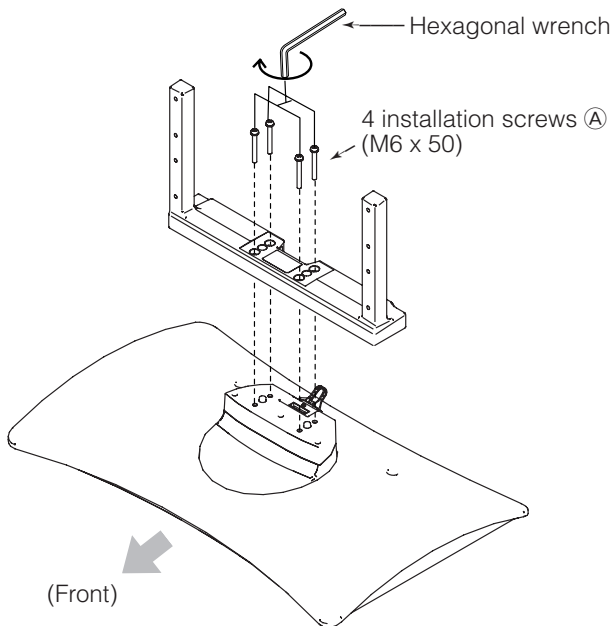
Arrange the monitor packing material as shown in the figure below, and place the monitor with back facing up.



### ■ Pedestal assembly procedure

#### 1. Attach the pedestal to the support column.

Use the supplied hexagonal wrench to tighten.



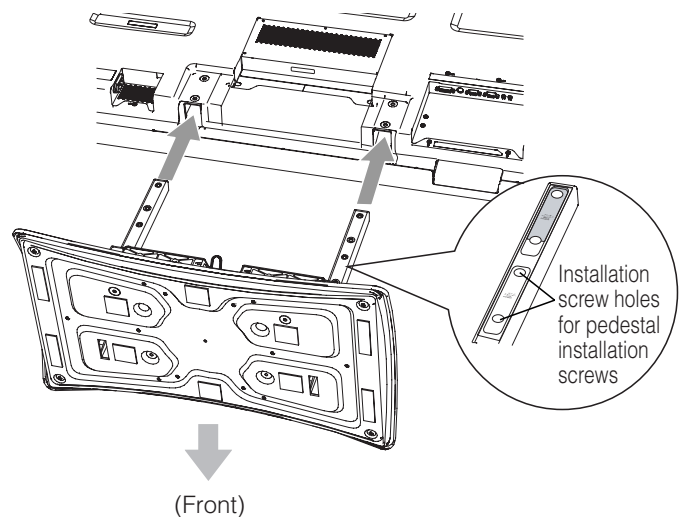
#### Warning

After attaching the pedestal to the support column, make sure that the screws are tightened firmly. Failure to do so could cause the unit to tip over or become damaged.

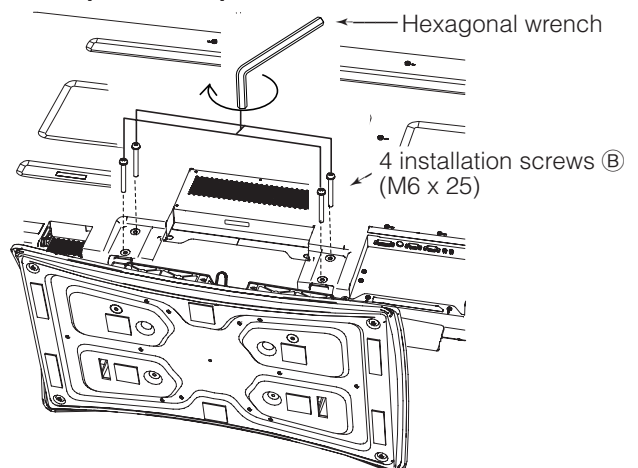
#### 2. Check once more to ensure that the attachment screws are tightened firmly.

### ■ Procedure for attaching to main unit

#### 1. Attach the monitor to the pedestal.



#### 2. Lock pedestal in place with screws.



#### Warning

After attaching the pedestal, make sure that the screws are tightened firmly. Failure to do so could cause the unit to tip over or become damaged.

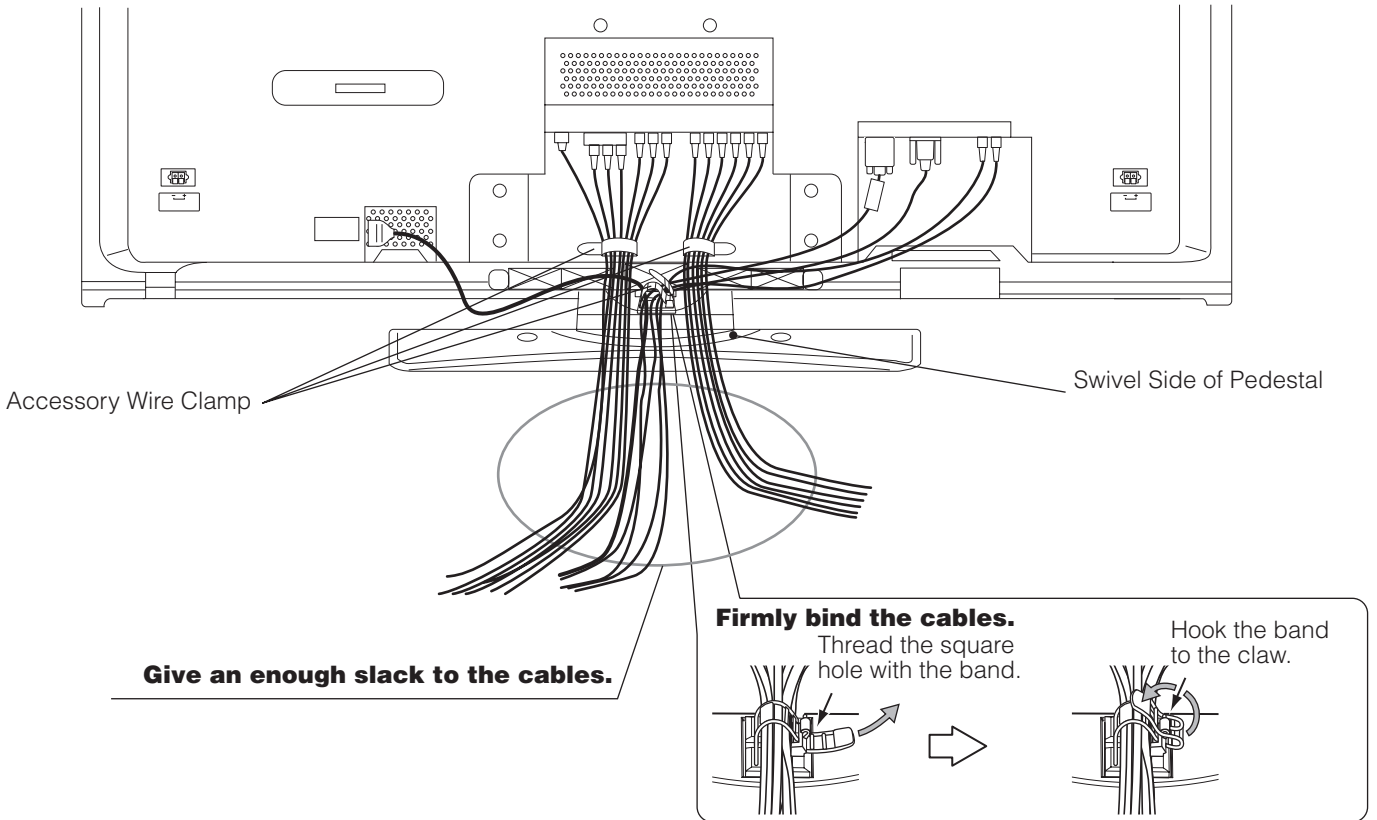
#### 3. Check once more to ensure that the attachment screws are tightened firmly.

**Caution Avoid any tension to the cables.**

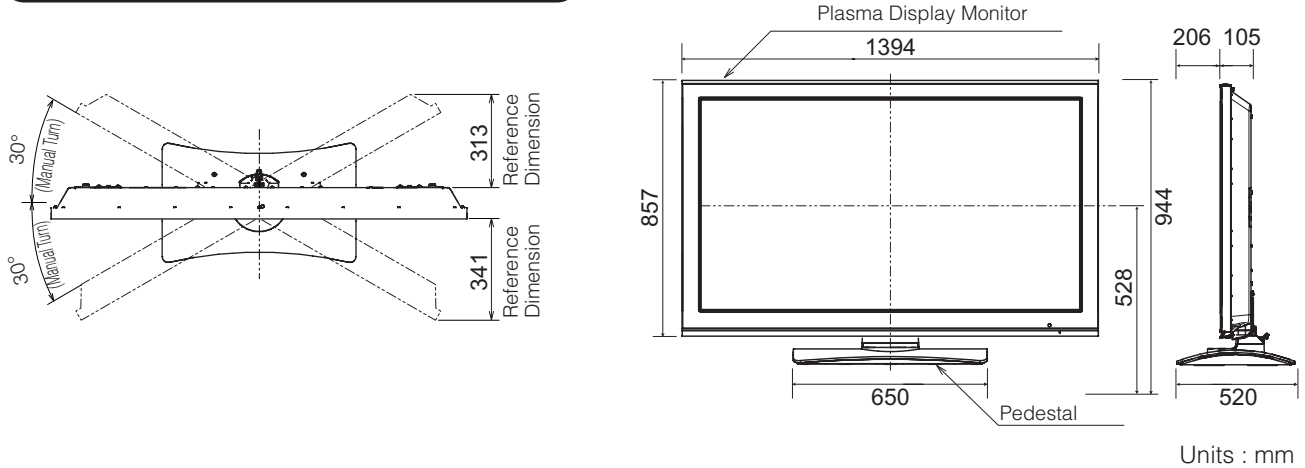
Firmly bind the connecting cables to other peripheral products with the wire clamp which is fixed on the swivel side of the pedestal.

Give an enough slack to the cables from the clamped section to the other products to avoid any tension of the cables between the monitor and the other products.

If there is not firmly bound or not enough slack in the cables when the monitor is turned on the pedestal, a tension in the cables may be created, which may cause any distortion or breakage of the connectors, or may result in a heat or a fire at the connection.



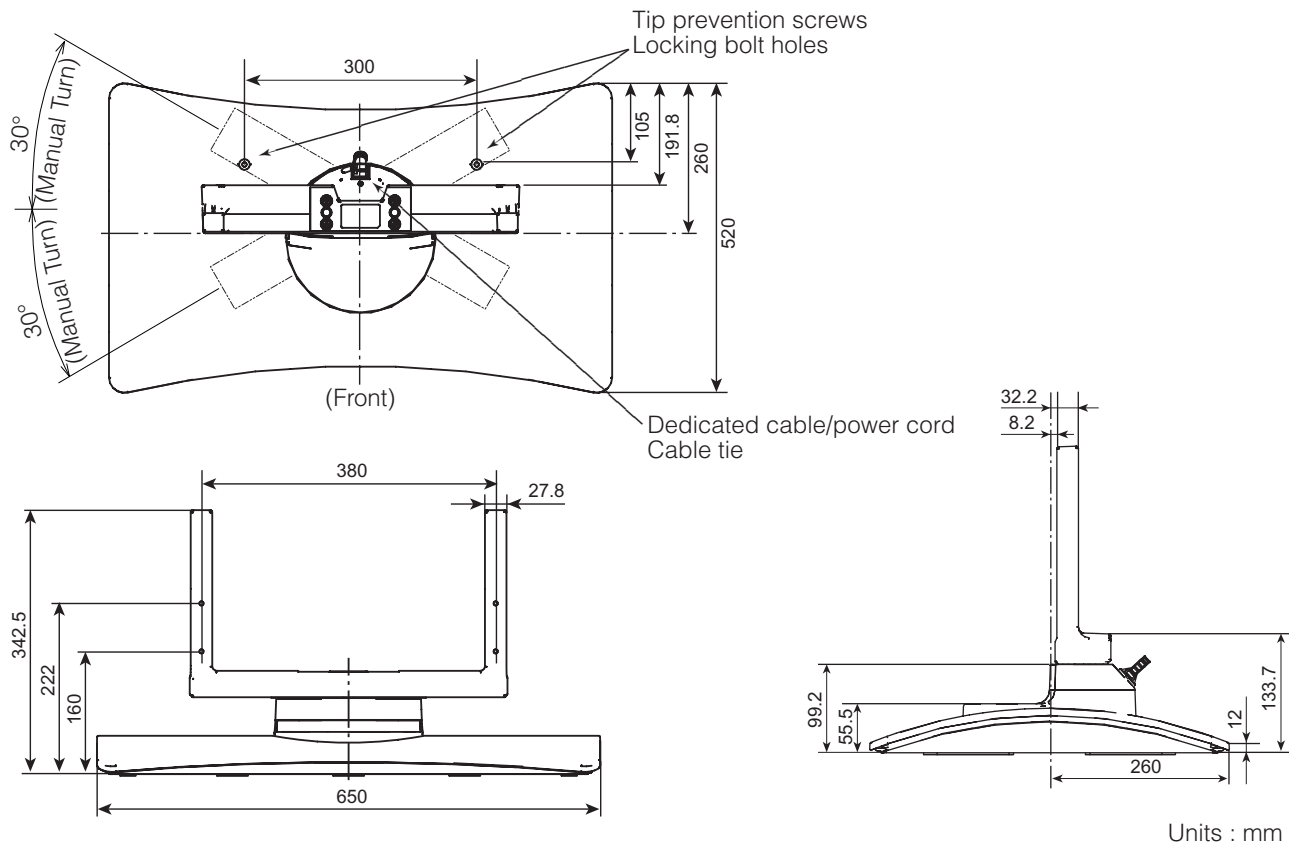
**Dimensions of After Assembly**



## Product Specifications

Model	PDS-355
External Dimensions	650(W) x 342.5(H) x 520(D)mm
Weight	15kg
Main Material (Surface Treatment)	Base Cover and Turn Cap: ABS(Painting), ABS-GF10(Painting) or PC+ABS(Painting) Support: Aluminum Bottom Cover: Steel(Plating)

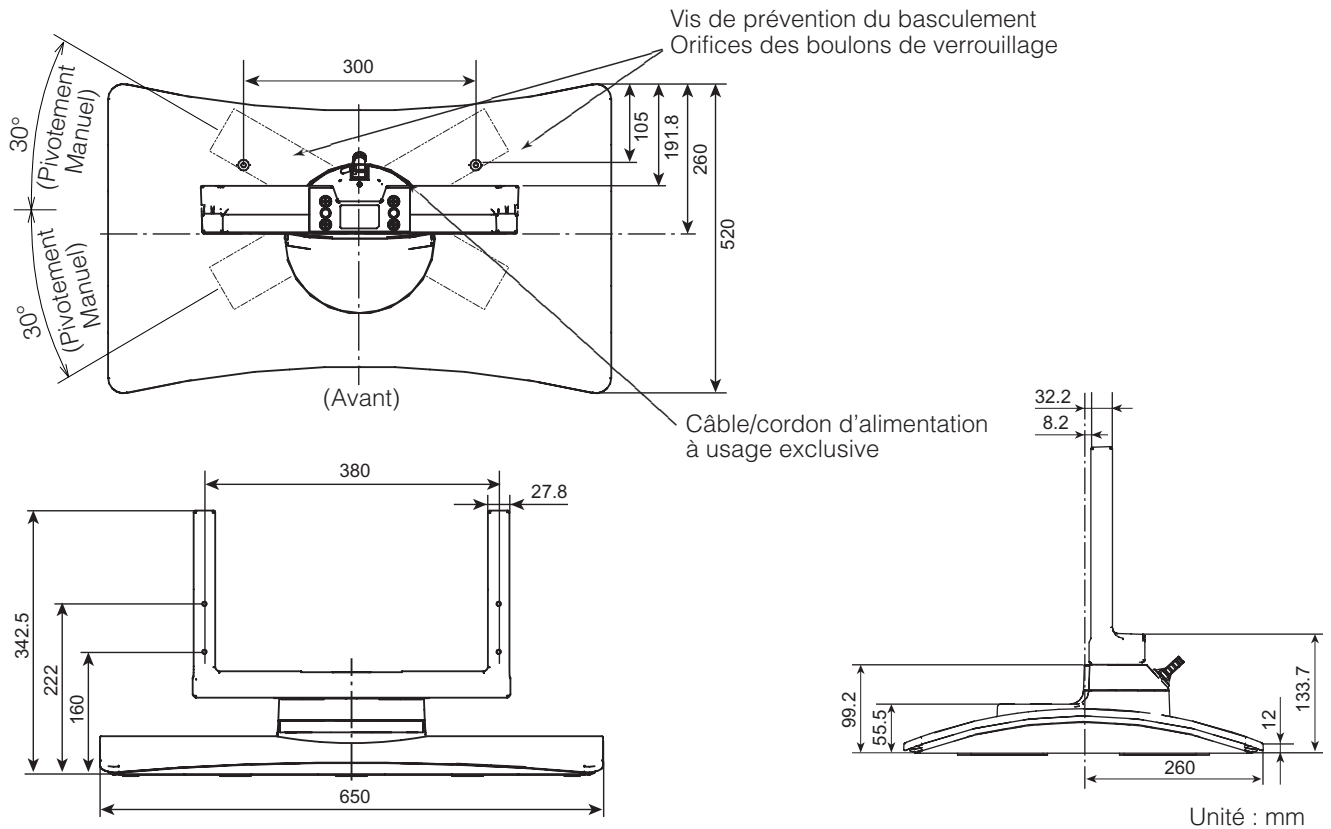
## Pedestal dimension diagram



## Caractéristiques du produit

Modèle	PDS-355
Dimensions extérieures	650(L) x 342,5(H) x 520(P)mm
Poids	15kg
Matériau principal (Traitement de surface)	Couvercle de base et couvercle pivotement: ABS(peinture), ABS-GF10(peinture) ou PC+ABS(peinture) Support: Aluminium Couvercle de base: Acier (plaqué)

## Diagramme des dimensions du support



©2004 YAMAHA CORPORATION All rights reserved.

YAMAHA ELECTRONICS CORPORATION, USA 6660 ORANGETHORPE AVE., BUENA PARK, CALIF. 90620, U.S.A.  
 YAMAHA CANADA MUSIC LTD. 135 MILNER AVE., SCARBOROUGH, ONTARIO M1S 3R1, CANADA  
 YAMAHA ELECTRONIK EUROPA G.m.b.H. SIEMENSSTR. 22-34, 25462 RELINGEN BEI HAMBURG, F.R. OF GERMANY  
 YAMAHA ELECTRONIQUE FRANCE S.A. RUE AMBROISE CROIZAT BP70 CROISSY-BEAUBOURG 77312 MARNE-LA-VALLEE CEDEX02, FRANCE  
 YAMAHA ELECTRONICS (UK) LTD. YAMAHA HOUSE, 200 RICKMANSWORTH ROAD WATFORD, HERTS WD18 7GQ, ENGLAND  
 YAMAHA SCANDINAVIA A.B. J A WETTERGRENS GATA 1, BOX 30053, 400 43 VÄSTRA FRÖLUNDA, SWEDEN  
 YAMAHA MUSIC AUSTRALIA PTY, LTD. 17-33 MARKET ST., SOUTH MELBOURNE, 3205 VIC., AUSTRALIA

YAMAHA CORPORATION  
 Printed in Japan ◀ QR35621